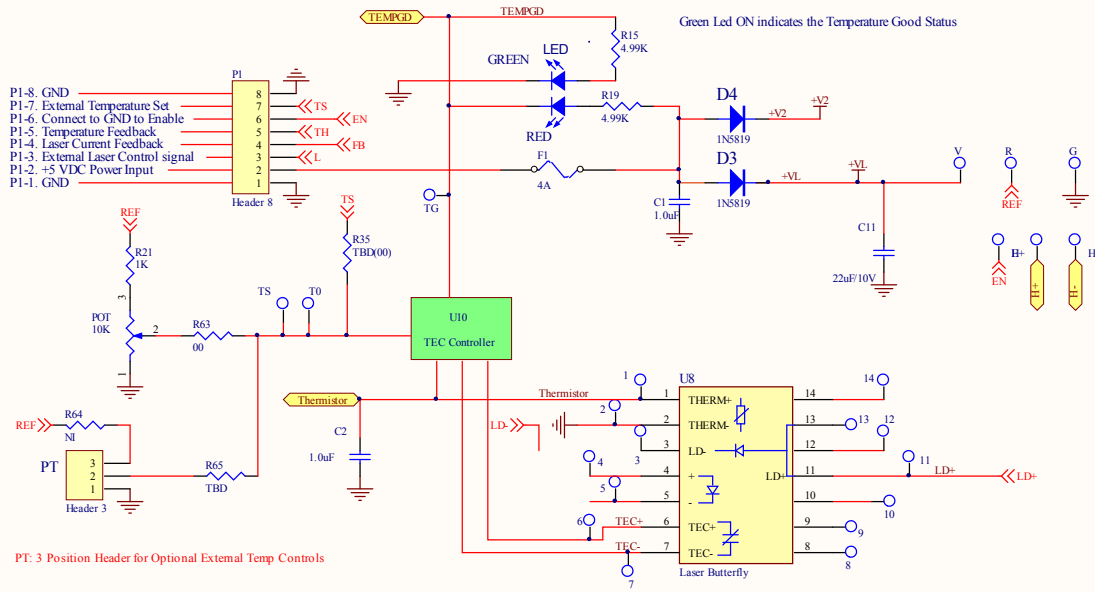


Title		
Size	Number	Revision
A	Blk LH	---
Date:	4/25/2022	Sheet of
File:	C:\Users_Blk_LH\SchDoe	Drawn By:



Title		
Block Diagram Blk_TEC		
Size	Number	Revision
A		---
Date:	4/25/2022	Sheet of
File:	C:\Users_Blk_TEC_SchDoc	Drawn By:

PT: 3 Position Header for Optional External Temp Controls

Green Led ON indicates the Temperature Good Status